



## Shielded SMD Power Chokes - SDS73 SERIES



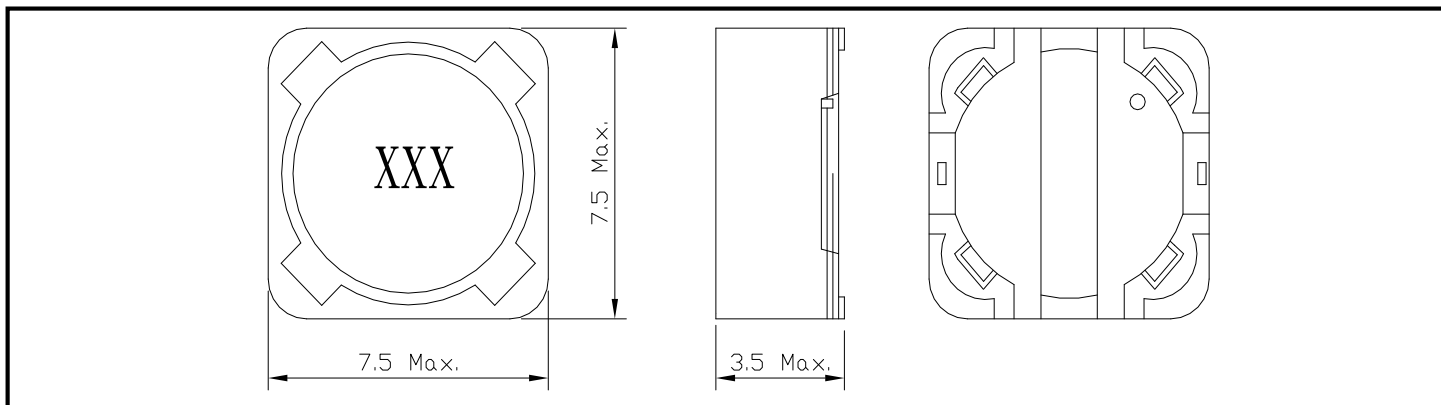
### PART NUMBERING SYSTEM

(AEC-Q200)

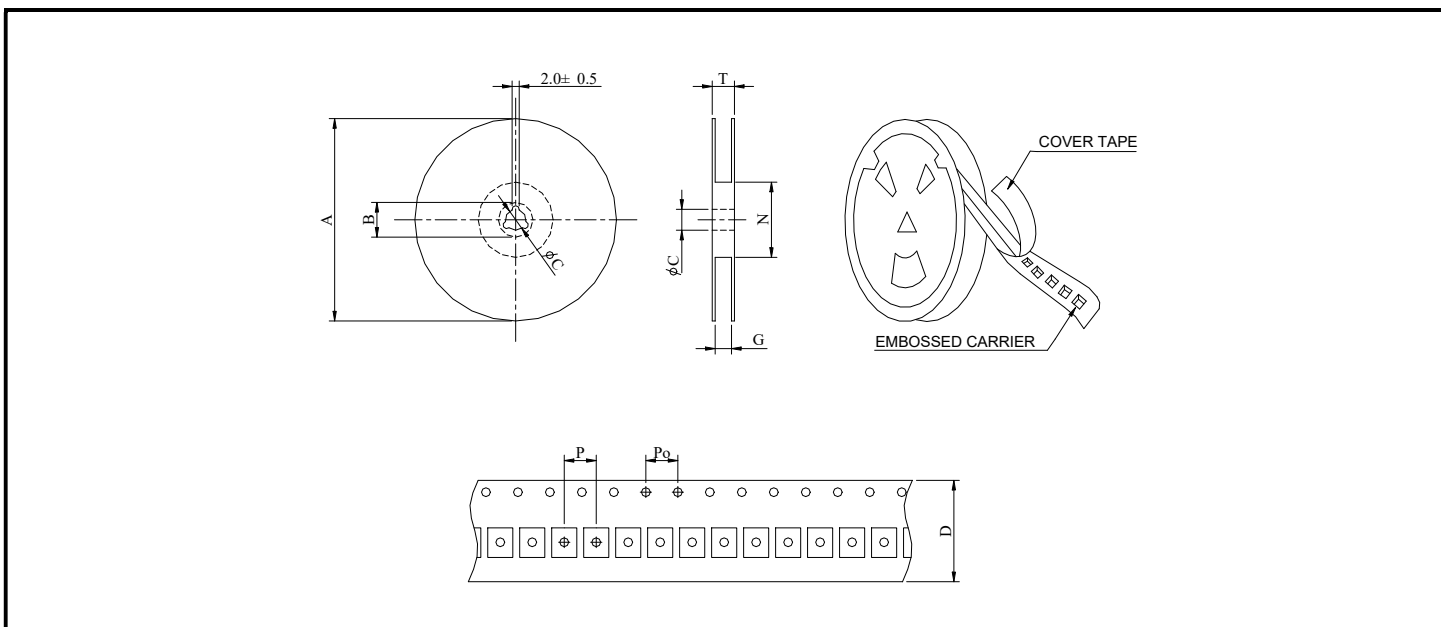
<b><u>SDS</u></b>	<b><u>73</u></b>	—	<b><u>681M</u></b>	—	<b><u>LF</u></b>
TYPE	DIMENSIONS		INDUCTANCE		LEAD FREE

### SHAPES AND DIMENSIONS

UNIT : mm



### PACKAGING SPECIFICATION



SERIES	STAYLE	Q'TY (PCS)	DIMENSIONS (m/m)								
			A	B $\pm 0.8$	C $\pm 0.5$	D	G $^{+0}$	N $^{-0}$	P	Po	T
SDS73	13-16	1000	330	21	13	16	18	50	8	4	22.4

## Shielded SMD Power Chokes - SDS73 SERIES



### SPECIFICATION TABLE

(AEC-Q200)

PART NUMBER	INDUCTANCE ( $\mu$ H)	DCR ( $\Omega$ ) (Max.)	IDC (A) (Max.)	TEST FREQ. ( Freq. )
SDS73-100M-LF	10 $\pm$ 20%	0.072	1.68	1KHz
SDS73-120M-LF	12 $\pm$ 20%	0.098	1.52	1KHz
SDS73-150M-LF	15 $\pm$ 20%	0.13	1.33	1KHz
SDS73-180M-LF	18 $\pm$ 20%	0.14	1.20	1KHz
SDS73-220M-LF	22 $\pm$ 20%	0.19	1.07	1KHz
SDS73-270M-LF	27 $\pm$ 20%	0.21	0.96	1KHz
SDS73-330M-LF	33 $\pm$ 20%	0.24	0.91	1KHz
SDS73-390M-LF	39 $\pm$ 20%	0.32	0.77	1KHz
SDS73-470M-LF	47 $\pm$ 20%	0.36	0.76	1KHz
SDS73-560M-LF	56 $\pm$ 20%	0.47	0.68	1KHz
SDS73-680M-LF	68 $\pm$ 20%	0.52	0.61	1KHz
SDS73-820M-LF	82 $\pm$ 20%	0.69	0.57	1KHz
SDS73-101M-LF	100 $\pm$ 20%	0.79	0.50	1KHz
SDS73-121M-LF	120 $\pm$ 20%	0.89	0.49	1KHz
SDS73-151M-LF	150 $\pm$ 20%	1.27	0.43	1KHz
SDS73-181M-LF	180 $\pm$ 20%	1.45	0.39	1KHz
SDS73-221M-LF	220 $\pm$ 20%	1.65	0.35	1KHz
SDS73-271M-LF	270 $\pm$ 20%	2.31	0.32	1KHz
SDS73-331M-LF	330 $\pm$ 20%	2.62	0.28	1KHz
SDS73-391M-LF	390 $\pm$ 20%	2.94	0.26	1KHz
SDS73-471M-LF	470 $\pm$ 20%	4.18	0.24	1KHz
SDS73-561M-LF	560 $\pm$ 20%	4.67	0.22	1KHz
SDS73-681M-LF	680 $\pm$ 20%	5.73	0.19	1KHz
SDS73-821M-LF	820 $\pm$ 20%	6.54	0.18	1KHz
SDS73-102M-LF	1000 $\pm$ 20%	9.44	0.16	1KHz

- DC current at which the inductance drops 25% (typ.) from its value without current.
- Operating temperature range -40°C to +125°C .
- Electrical specifications at 25°C .